



**Liftomatic Material Handling, Inc.**

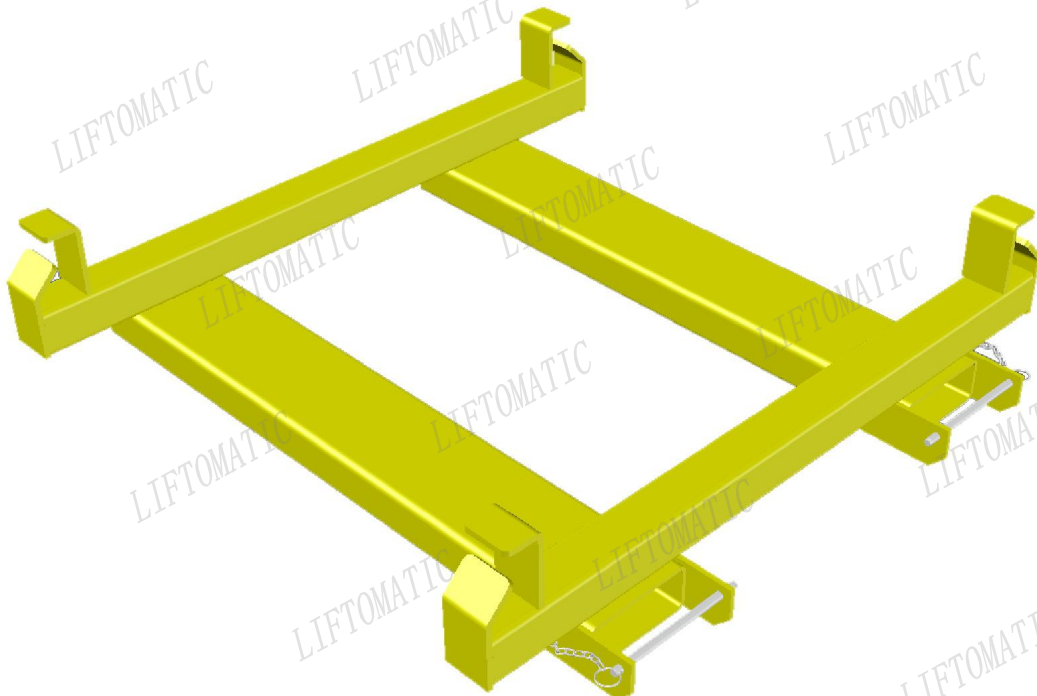
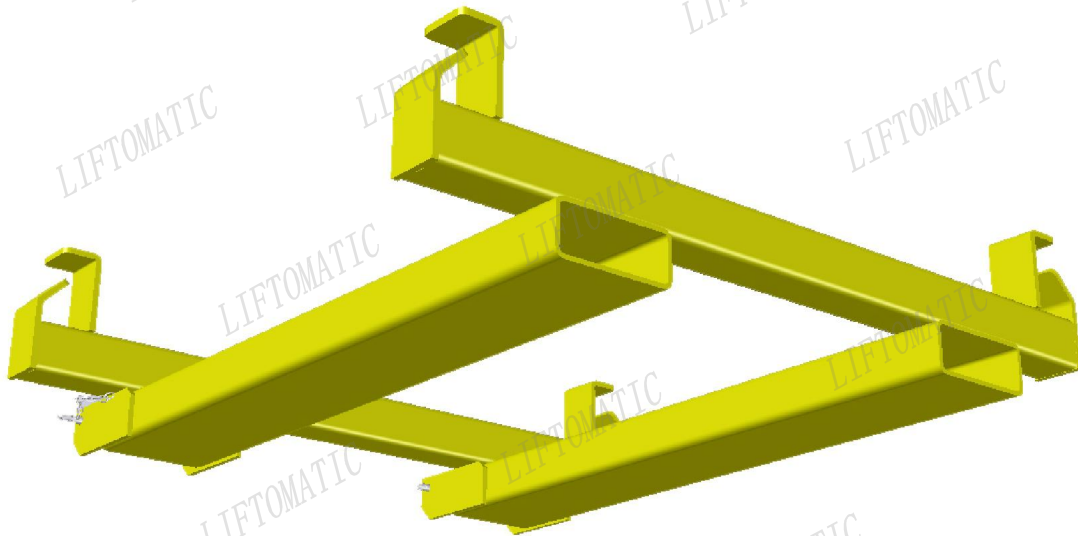
700 Dartmouth Lane  
Buffalo Grove, IL 60089

Phone 847 325-2930

Fax 847 325-2959

Toll Free 800 837-6540

## **Hoist Mounted Bag Lifter FMBL with locking pins**

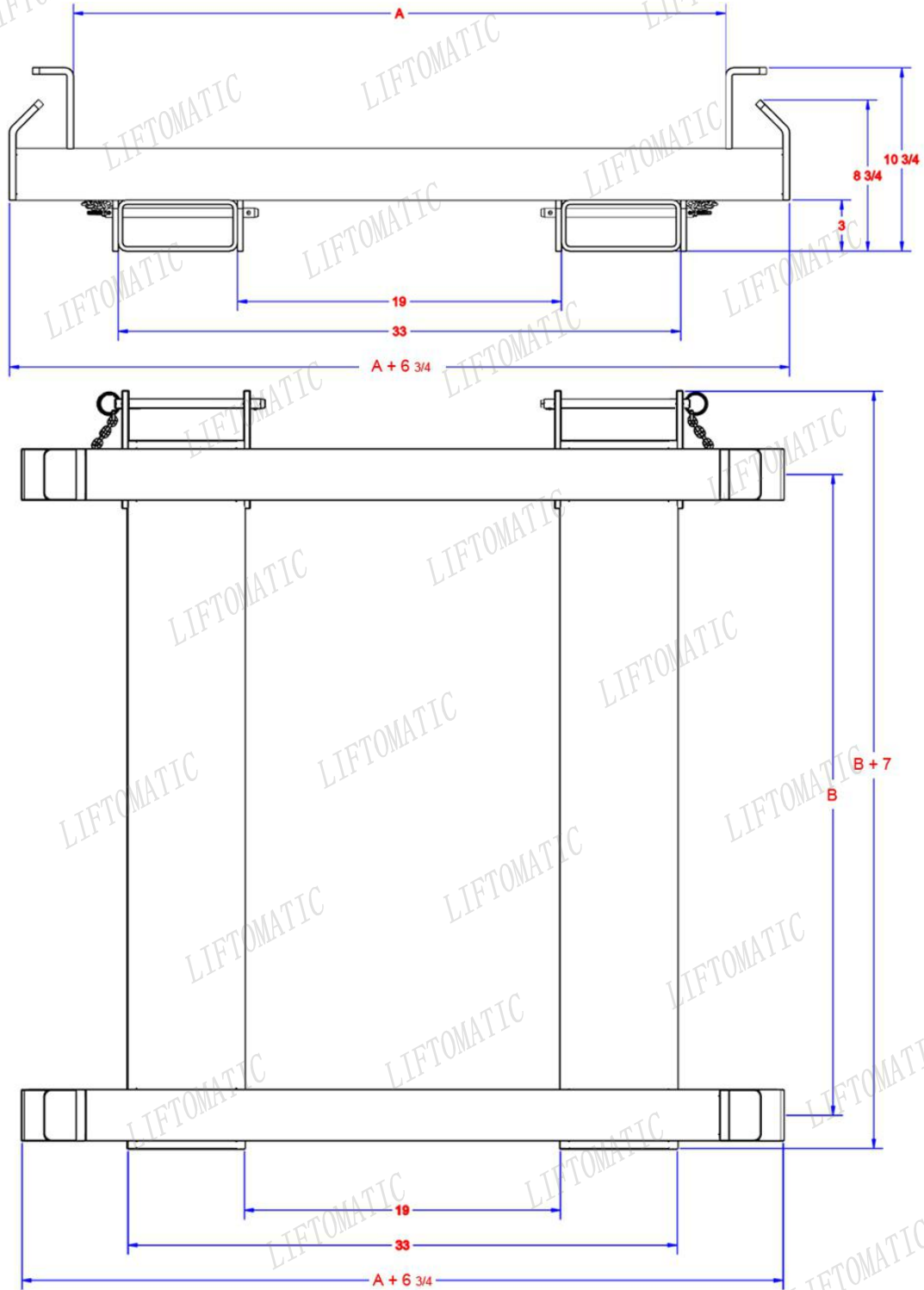




**Liftomatic Material Handling, Inc.**

700 Dartmouth Lane  
Buffalo Grove, IL 60089

Phone 847 325-2930  
Fax 847 325-2959  
Toll Free 800 837-6540





**Liftomatic Material Handling, Inc.**

700 Dartmouth Lane  
Buffalo Grove, IL 60089

Phone 847 325-2930  
Fax 847 325-2959  
Toll Free 800 837-6540

<b>Model</b>	<b>Capacity</b>	<b>A</b>	<b>B</b>	<b>Bulk Bag Base</b>
<b>FMBL-35</b>	<b>3000 lbs.</b>	<b>31-1/4</b>	<b>35</b>	<b>35 x 35</b>
<b>FMBL-36</b>	<b>3000 lbs.</b>	<b>32-1/4</b>	<b>36</b>	<b>36 x 36</b>
<b>FMBL-38</b>	<b>3000 lbs.</b>	<b>34-1/4</b>	<b>38</b>	<b>38 x 38</b>
<b>FMBL-41</b>	<b>3000 lbs.</b>	<b>37-1/4</b>	<b>41</b>	<b>41 x 41</b>
<b>FMBL-43</b>	<b>3000 lbs.</b>	<b>39-1/4</b>	<b>43</b>	<b>43 x 43</b>